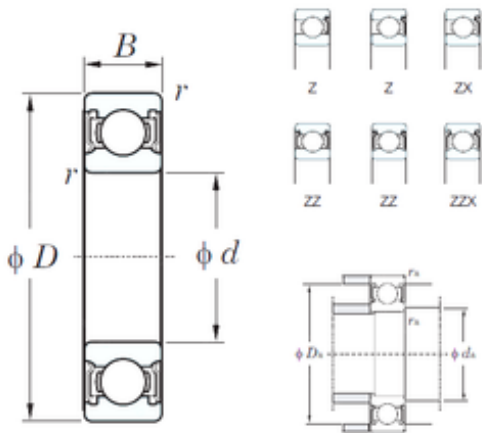




## Bearing Driveshaft do Brasil



6201zz Bearing 2D drawings and 3D CAD models

Ikc NSK Koyo NTN 6201zz  
 Automobile/Electric Motor Ball Bearing 6200zz,  
 6202zz, 6203zz, 6204zz, 6205zz, 6206zz C3

Bearing No. 6201zz

Size	12x32x10 mm
Bore Diameter	12 mm
Outer Diameter	32 mm
Width	10 mm
d	12 mm
D	32 mm
B	10 mm
C	10 mm
r min.	0,6 mm
da min.	16 mm
da max	16,5 mm
Da max.	28 mm
ra max.	0,6 mm
Weight	0,037 Kg
Basic dynamic load rating (C)	6,8 kN
Basic static load rating (C0)	3,05 kN
(Grease) Lubrication Speed	22000 r/min
Category	Single Row Ball Bearings
Inventory	0.0
Manufacturer Name	KOYO
Minimum Buy Quantity	N/A
Weight / Kilogram	0.039
Product Group	B00308
Enclosure	2 Metal Shields



## Bearing Driveshaft do Brasil

Precision Class	ABEC 1   ISO P0
Maximum Capacity / Filling Slot	No
Rolling Element	Ball Bearing
Snap Ring	No
Internal Special Features	No
Cage Material	Steel
Internal Clearance	C0-Medium
Inch - Metric	Metric
Long Description	12MM Bore; 32MM Outside Diameter; 10MM Outer Race Width; 2 Metal Shields; Ball Bearing; ABEC 1   ISO P0; No Filling Slot; No Snap Ring; No Internal Special Features; C0-Medium Internal Clearance; Stee
Other Features	Deep Groove
Category	Single Row Ball Bearing
UNSPSC	31171504
Harmonized Tariff Code	8482.10.50.68
Noun	Bearing
Keyword String	Ball
Manufacturer URL	<a href="http://www.koyousa.com">http://www.koyousa.com</a>
Weight / LBS	0.0815
Outer Race Width	0.394 Inch   10 Millimeter
Bore	0.472 Inch   12 Millimeter
Inner Race Width	0 Inch   0 Millimeter
Outside Diameter	1.26 Inch   32 Millimeter