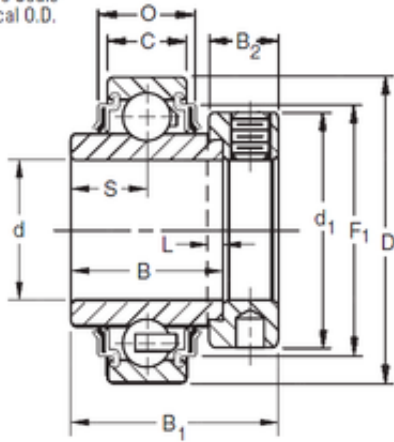




Bearing Driveshaft do Brasil

KRR Two Seals
Cylindrical O.D.



55,5625 mm x 100 mm x 55,56 mm TIMKEN
1203KRR Insert Bearings Cylindrical OD

Bearing No. 1203KRR

Size	55.5625x100x55.56 mm
Bore Diameter	55,5625 mm
Outer Diameter	100 mm
Width	55,56 mm
d	55,5625 mm
D	100 mm
B	55,56 mm
C	21 mm
P	24,21 mm
O	27,41 mm
d1	76,2 mm
B1	71,4 mm
B2	20,6 mm
L	4,8 mm
S	27,8 mm
F1	87,17 mm
Weight	1,306 Kg
Basic dynamic load rating (C)	48 kN

1203KRR Bearing 2D drawings and 3D CAD models