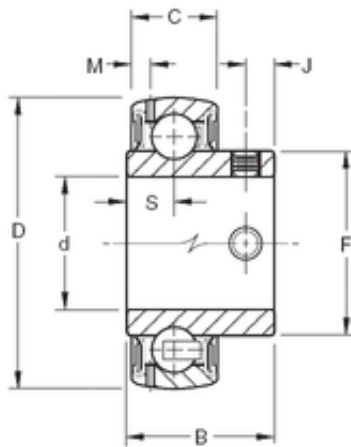




Bearing Driveshaft do Brasil



25 mm x 52 mm x 28,2 mm TIMKEN GYAE25RRB Insert Bearings Spherical OD

Bearing No. GYAE25RRB

Size	25x52x28.2 mm
Bore Diameter	25 mm
Outer Diameter	52 mm
Width	28,2 mm
d	25 mm
D	52 mm
B	28,2 mm
C	15 mm
F	33,7 mm
J	6,35 mm
M	3,61 mm
S	8,84 mm
Thread (G)	M6X1
Weight	0,17 Kg
Basic dynamic load rating (C)	15,8 kN

GYAE25RRB Bearing 2D drawings and 3D CAD models